

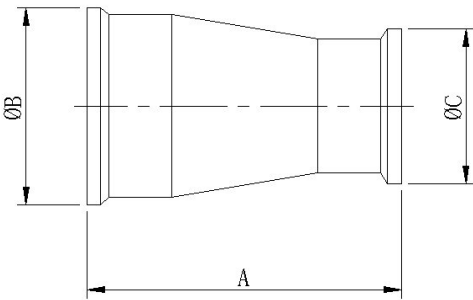


GENEBRE PART: 2988 SANITARY CLAMP CONCENTRIC REDUCER



SPECIFICATIONS

1	Made in AISI 316L
2	External and internal polish
3	Clamp ends in inches (BS4825-3)
4	Max Working pressure 10JG / cm2



DIMENSIONS

AVOL REF	SIZE mm	A mm	B mm	C mm	Wt Kg
2988-08-06	1 1/2" x 1"	76	50.5	50.5	0.20
2988-09-06	2" x 1"	127	64	50.5	0.26
2988-09-08	2" x 1 1/2"	76	64	50.5	0.29
2988-10-08	2 1/2" x 1 1/2"	127	77.5	50.5	0.36
2988-10-09	2 1/2" x 2"	76	77.5	64	0.38
2988-11-09	3" x 2"	127	91	64	0.46
2988-11-10	3" x 3 1/2"	76	91	77.5	0.50
2988-12-11	4" x 3"	130	119	91	0.66